

INDUSTRIAL T88 TOP FLOW BAG HOUSINGS



T88 Top Flow Single Liquid Bag Housings effectively remove dirt, pipe scale, and other substances from process liquids. Quality construction and design assure clean effluent and protection for all downstream equipment.

Unfiltered liquid enters the housing above the filter bag or strainer basket, fills the interior of the housing and continues through the bag or strainer basket. Solids are trapped inside the filter bag or strainer and easily removed when the housing is serviced. The standard O-ring seal between the basket and the housing ensures a positive seal to prevent bypass.

FEATURES/BENEFITS

Flow rates up to 220 gpm (832.7 Lpm)
150 (20.7 bar) pressure rating
Two lengths available, 15" or 30" (381 and 762 mm), depending upon the required surface area and volume of fluid to be filtered
Carbon steel and 304 or 316 Stainless Steel construction
Each housing is factory hydro-tested
Low pressure drop

Plated quick-swing closure with eye nuts
Differential, drain and vent ports
Adjustable support legs
304 Stainless Steel basket
Two-part epoxy paint finish on carbon steel housings, inside and outside
Accepts #1-size and #2-size bag filters

APPLICATIONS

Chemical
General Industrial
Oil and Gas
Water

OPTIONS

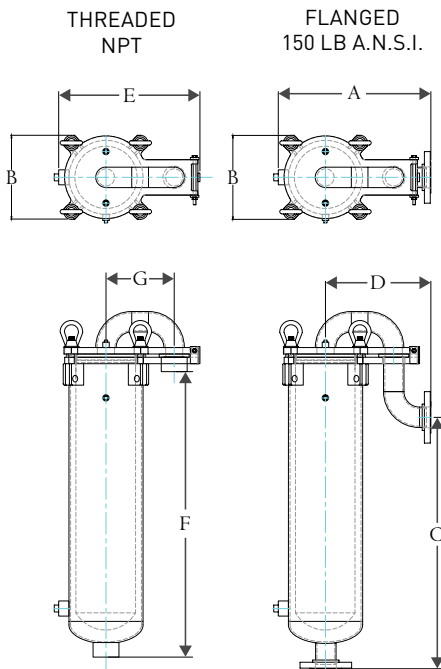
Mesh-lined strainer baskets
Alternative O-ring materials (durometer ratings < 75 Shore A Hardness)
ASME code U or UM

SPECIFICATIONS

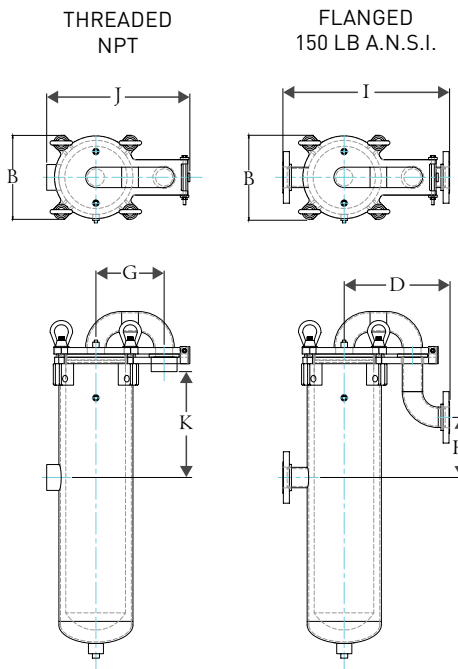
Pressure Rating	150 psi @ 300°F (10.3 bar @ 148.9°C)
Connections	2" NPT or flange
Housing Lid	Zinc-plated 4-bolt swing closure with ¼" NPT vent port
Lid Seal	Buna-N
Inlets/Outlets	Top inlet/bottom outlet, Top inlet/side outlet
Pressure Ports	Two ¼" NPT
Construction/Finish	Carbon steel w/2-part epoxy finish, inside and outside 304 or 316 Stainless steel w/satin finish, on outside
Basket Material	304 Stainless Steel with 9/64" perforations
Bag Sizes	#1 and #2
Base	Adjustable tripod leg assembly

DIMENSIONS

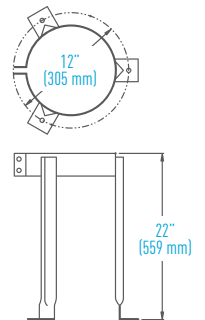
STYLE A - BOTTOM OUTLET



STYLE B - SIDE OUTLET



ADJUSTABLE LEGS*



* legs must be bolted to floor for proper operation

All dimensions are approximate.

NPT CONNECTION

MODEL	CONNECTION SIZE	DIMENSIONS											
			A	B	C	D	E	F	G	H	I	J	K
T88-15	2"	IN	17.8	9.9	14.3	12.3	16.4	18.2	7.9	7.0	19.4	16.7	12.3
		MM	451	251	362	311	418	462	202	178	492	424	313
T88-30		IN	17.8	9.9	29.3	12.3	16.4	33.2	7.9	7.0	19.4	16.7	12.3
		MM	451	251	743	311	418	843	202	178	492	424	313

ORDERING INFORMATION

To create your ordering part number, use the part number configurator below.

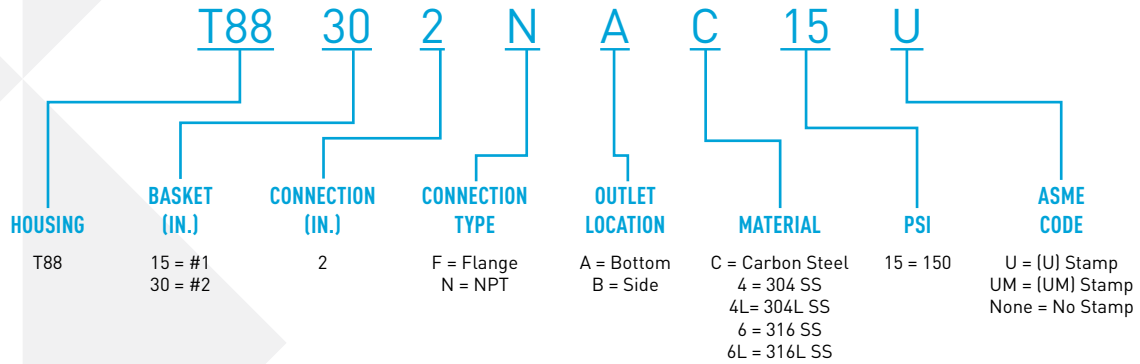
Custom configurations available. Please contact customer service.

Carbon steel not recommended for water use as the epoxy coating is not designed as a corrosion inhibitor.

HOUSING EXAMPLE: T88302NAC15U

T88 Housing (T88), #2 basket (30), 2" (2), NPT connection (N)

Carbon steel (C), 150 psi (15), ASME Code (U) Stamp (U)





FILTRATION & PROCESS

5730 NORTH GLEN PARK ROAD, MILWAUKEE, WI 53209

P: 262.238.4400 | F: 262.238.4404 | WWW.PENTAIRINDUSTRIAL.COM | CUSTOMER CARE: 800.279.9404

All Pentair trademarks and logos are owned by Pentair, Inc. or its affiliates. All other registered and unregistered trademarks and logos are the property of their respective owners. Because we are continuously improving our products and services, Pentair reserves the right to change specifications without prior notice. Pentair is an equal opportunity employer.

4003040 Rev D DE14 © 2014 Pentair Residential Filtration, LLC. All rights reserved.