

INDUSTRIAL L882 TWIN CAPACITY BAG HOUSINGS



Pentair Industrial* L882 Twin Capacity Liquid Bag Housings offer the flow rates of multi-round housings at an economical cost. These vessels are ideal for applications requiring high dirt-holding capacity, low pressure drop, or additional flow.

FEATURES/BENEFITS

Flow rates up to 400 gpm (1,514 Lpm) per housing
Two identical L88 housings working in tandem
Carbon or Stainless Steel construction
Each housing is factory hydro-tested
Zinc-plated quick-swing closure with eye nuts
FKM seals — lid and basket

Differential, drain, and vent ports
304 Stainless Steel strainer basket for 304 Stainless Steel housings and Carbon Steel housing
316 Stainless Steel strainer basket for 316 Stainless Steel housings
Can be used with strainer baskets alone or with #2 bag filters

APPLICATIONS

Chemical
General Industrial
Oil and Gas
Water

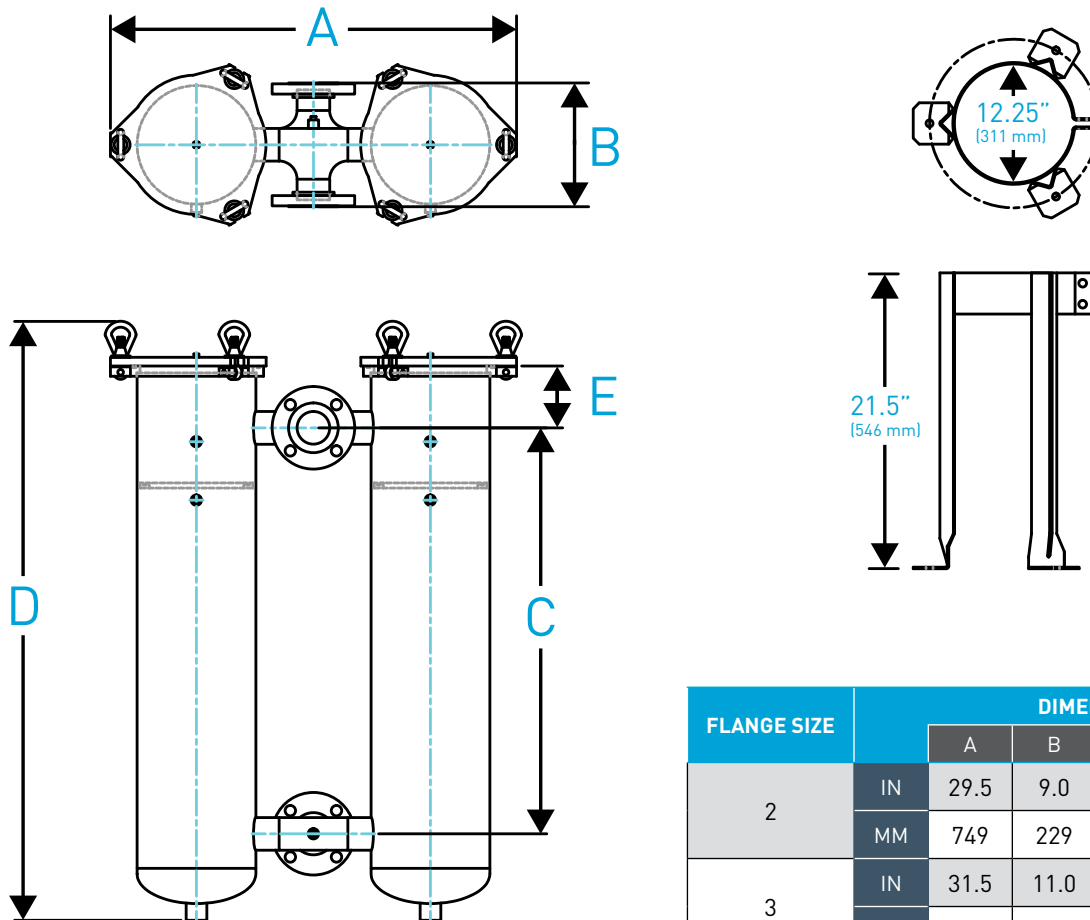
OPTIONS

300 psi pressure rating
Mesh-lined strainer baskets
Alternative O-ring materials

SPECIFICATIONS

Pressure Rating	150 psi @ 300°F (10.3 bar @ 148.9°C)
Connections	RF flange
Lid & Basket Seals	FKM O-ring
Inlets/outlets	Side inlet, side outlet
Pressure Ports	Two differential parts measure pressure across filter bag
Construction/Finish	Carbon steel w/2-part epoxy finish inside and outside 304 or 316 Stainless steel w/satin finish on inside and outside
Basket Material	304 Stainless Steel strainer basket for 304 Stainless Steel housings and Carbon Steel housings with 9/64" perforations 316 Stainless Steel strainer basket for 316 Stainless Steel housings with 9/64" perforations
Bag Size	#2
Base	Adjustable tripod leg assembly

DIMENSIONS



FLANGE SIZE	DIMENSIONS					
	A	B	C	D	E	
2	IN	29.5	9.0	29.5	43.5	4.5
	MM	749	229	749	1105	114
3	IN	31.5	11.0	29.5	43.5	4.5
	MM	800	279	749	1105	114
4	IN	33.5	13.0	29.5	43.5	4.25
	MM	851	330	749	1105	108

All dimensions are approximate. Dimensions are for carbon steel configurations.

ORDERING INFORMATION

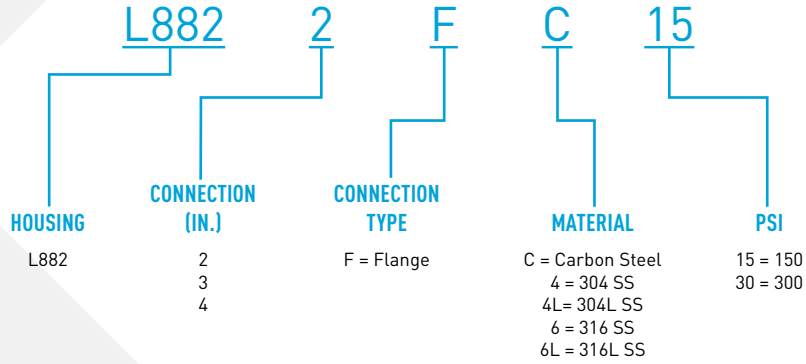
To create your ordering part number, use the part number configurator below.

Custom configurations available. Please contact customer service.

Carbon steel not recommended for water use as the epoxy coating is not designed as a corrosion inhibitor.

HOUSING EXAMPLE: L882FC15

L882 housing (L882), 2" (2), Flange connection (F), Carbon steel (C), 150 psi (15)





WATER QUALITY SYSTEMS

5730 NORTH GLEN PARK ROAD, MILWAUKEE, WI 53209

P: 262.238.4400 | F: 262.238.4404

PENTAIRINDUSTRIAL.COM

CUSTOMER CARE: 800.279.9404 | tech-support@pentair.com

© 2015 Pentair Residential Filtration, LLC. All rights reserved.

*For a detailed list of where Pentair trademarks are registered, please visit waterpurification.pentair.com.

Pentair trademarks and logos are owned by Pentair, Inc. or its affiliates. Third party registered and unregistered trademarks and logos are the property of their respective owners.

4004341 Rev B SE15