

INDUSTRIAL L88 BAG HOUSINGS



Pentair* Industrial* L88 Single Liquid Bag Housings effectively remove dirt, pipe scale, and other substances from process liquids. Quality construction and design assure clean effluent and protection for all downstream equipment.

Unfiltered liquid enters the housing above the filter bag or strainer basket, fills the interior of the housing and continues through the bag or strainer basket. Solids are trapped inside the filter bag or strainer and easily removed when the housing is serviced. The standard O-ring seal between the basket and the housing ensures a positive seal to prevent bypass.

FEATURES/BENEFITS

Flow rates up to 220 gpm (832.7 Lpm)
150 and 300 PSI (10.3 and 20.7 bar)
pressure ratings
Two lengths available, a 15" or a 30" (381 and 762 mm) housing, depending upon the required surface area and volume of fluid to be filtered
Carbon Steel or Stainless Steel construction
Each housing is factory hydro-tested
Low pressure drop
Zinc-plated quick-swing closure with eye nuts
300 PSI (20.7 bar) housing has slip and blind flange lid

APPLICATIONS

Chemical
General Industrial
Oil and Gas
Water

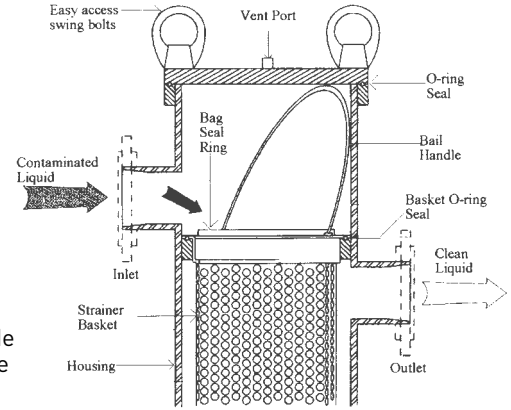
FKM seals — lid & basket
Differential, drain, and vent ports
304 Stainless Steel strainer basket for 304 Stainless Steel housings and Carbon Steel housings
316 Stainless Steel strainer basket for 316 Stainless Steel housings
Accepts #1-size and #2-size bag filters
Two-part epoxy paint finish on carbon steel housings, inside and outside
Adjustable support legs

OPTIONS

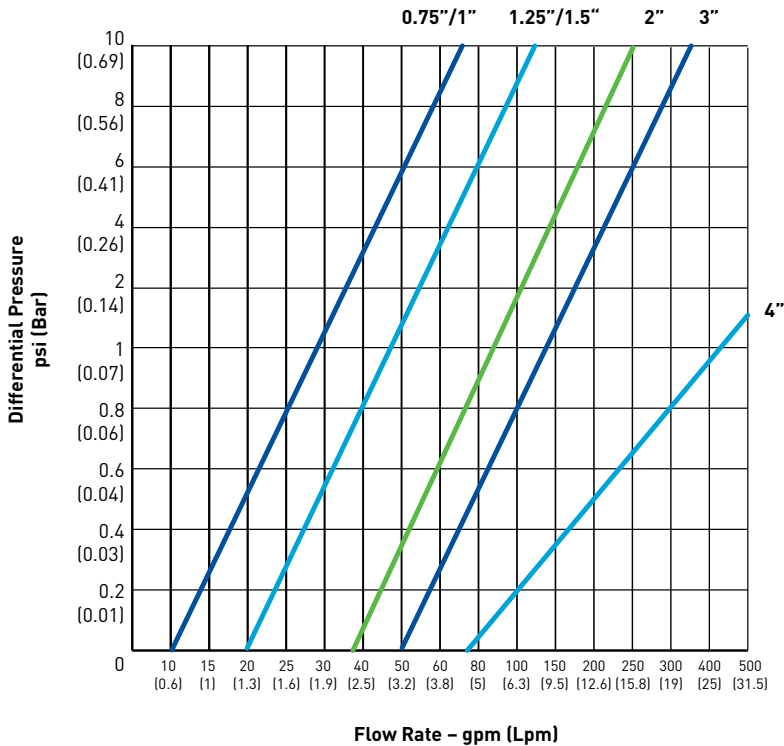
Mesh-lined strainer baskets
Alternative O-ring materials
ASME code U or UM
Positive hold down spring

SPECIFICATIONS

Pressure Rating	150 psi @ 300°F (10.3 bar @ 148.9°C) (up to 300 (34.5 bar) psi optional)
Connections	2", 3" or 4" NPT or flange
Housing Lid	Zinc-plated 3-bolt swing closure with 1/4" NPT vent port
Lid & Basket Seals	FKM O-ring
Inlets/Outlets	Side inlet/bottom outlet, Side inlet/side outlet, Side inlet/90° bottom outlet
Pressure Ports	Two differential ports measure pressure across filter bag
Construction/Finish	Carbon steel w/2-part epoxy finish inside & outside 304 or 316 Stainless steel w/satin finish on outside
Basket Material	304 Stainless Steel strainer basket with 9/64" perforations for 304 Stainless Steel housings and Carbon Steel housings 316 Stainless Steel strainer basket with 9/64" perforations for 316 Stainless Steel housings
Bag Sizes	#1 and #2
Base	Adjustable tripod leg assembly

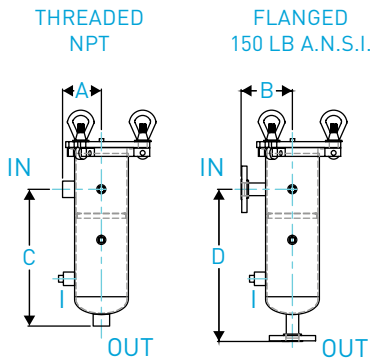


PRESSURE DROP VS FLOW RATE

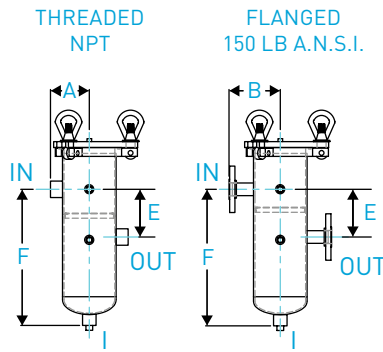


DIMENSIONS

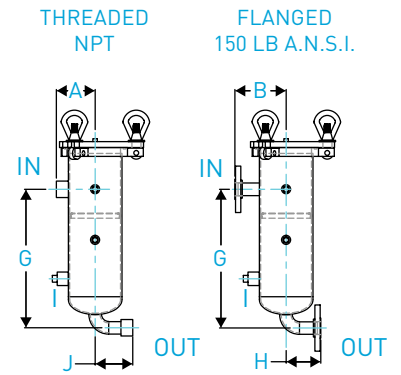
STYLE A - BOTTOM OUTLET



STYLE B - SIDE OUTLET



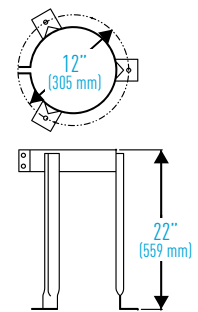
STYLE C - BOTTOM OUTLET 90°



L88-15

CONNECTION SIZE	DIMENSIONS											WEIGHT	
		A	B	C	D	E	F	G	H	I	J		
2.0"	IN	5.8	6.8	23.4	25.6	7.0	23.0	24.8	4.5	1.0	4.7	LBS	105
	MM	148	171	595	651	178	584	629	114	25	119	KG	48
3.0"	IN	5.9	7.1	23.8	25.0	7.0	23.0	26.2	6	1.0	6.6	LBS	107
	MM	149	181	603	635	178	584	665	152	25	168	KG	49
4.0"	IN	5.7	7.1	23.9	24.8	7.0	23.0	27.6	6.8	1.0	8.3	LBS	112
	MM	145	181	607	630	178	584	702	173	25	210	KG	51

ADJUSTABLE LEGS



All dimensions are approximate.
Dimensions are for carbon steel configurations.

L88-30

CONNECTION SIZE	DIMENSIONS											WEIGHT	
		A	B	C	D	E	F	G	H	I	J		
2.0"	IN	5.8	6.8	35.2	37.4	7.0	34.8	36.5	4.5	1.0	4.7	LBS	130
	MM	148	171	894	949	178	883	927	114	25	119	KG	59
3.0"	IN	5.9	7.1	35.8	36.8	7.0	34.8	37.9	6	1.0	6.6	LBS	132
	MM	149	181	908	933	178	883	964	152	25	168	KG	60
4.0"	IN	5.7	7.1	35.6	36.6	7.0	34.8	39.3	6.8	1.0	8.3	LBS	137
	MM	145	181	905	929	178	883	998	173	25	210	KG	62

BASKET DATA

DEPTH		DIAMETER		SURFACE AREA		VOLUME	
IN	15.0	IN	6.7	FT. ²	2.3	IN ³	500
MM	381	MM	170	M ²	0.21	CM ³	8194
IN	30.0	IN	6.7	FT. ²	4.4	IN ³	1,000
MM	762	MM	170	M ²	0.41	CM ³	16,387

ORDERING INFORMATION

To create your ordering part number, use the part number configurator below.

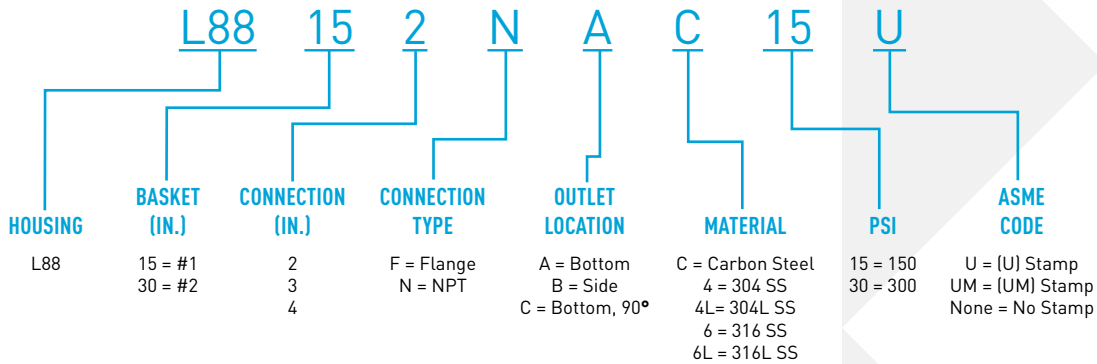
Custom configurations available. Please contact customer service.

Carbon steel not recommended for water use as the epoxy coating is not designed as a corrosion inhibitor.

HOUSING EXAMPLE: L88152NAC15U

L88 Housing (L88), #1 standard basket (15), 2" (2), NPT connection (N)

Outlet located on bottom (A), Carbon steel (C), 150 psi (15), ASME Code (U) Stamp (U)



WATER QUALITY SYSTEMS

5730 NORTH GLEN PARK ROAD, MILWAUKEE, WI 53209

P: 262.238.4400 | F: 262.238.4404

PENTAIRINDUSTRIAL.COM

CUSTOMER CARE: 800.279.9404 | tech-support@pentair.com

© 2015 Pentair Residential Filtration, LLC. All rights reserved.

*For a detailed list of where Pentair trademarks are registered, please visit waterpurification.pentair.com.

Pentair trademarks and logos are owned by Pentair, Inc. or its affiliates. Third party registered and unregistered trademarks and logos are the property of their respective owners.

4003036 Rev F SE15