

INDUSTRIAL DUPLEX BAG HOUSINGS



Duplex Liquid Bag Housings offer the capability of a continual flow for non-stop filtering during maintenance. Duplex systems effectively remove dirt, pipe, scale, and other substances from process liquids, and they deliver a wide variety of choices for flow rates and particulate removal. Plus, quality construction and design assure clean effluent and protection for all downstream equipment.

An optional automatic actuation system can be added to all housings for ease of operation. The automated system will switch flow between the housings after reaching a programmed differential pressure.

FEATURES/BENEFITS

Twin housings with common connections
Continuous flow possible
Single handle actuation to switch between housings (4" piping and smaller) or independent controls (6" and larger)
Carbon or Stainless Steel construction
Each housing is factory hydro-tested

Zinc-plated quick-swing closure with eye nuts
O-ring seals — lid & basket
Differential, drain, and vent ports
304 Stainless Steel strainer basket for 304 Stainless Steel housings and Carbon Steel housings
316 Stainless Steel strainer basket for 316 Stainless Steel housings

APPLICATIONS

Chemical
General Industrial
Oil and Gas
Water

OPTIONS

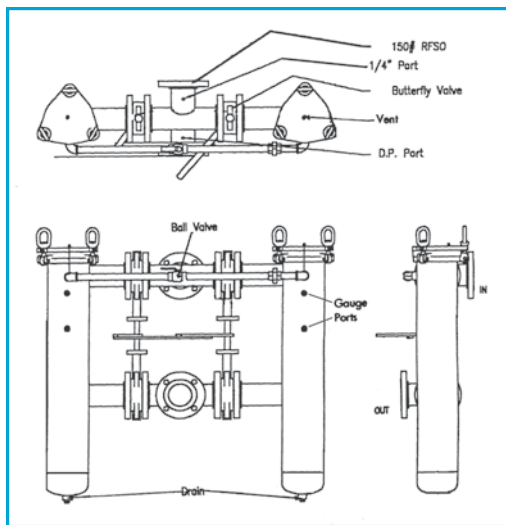
Mesh-lined strainer baskets
Alternative seal materials
Adjustable support legs
Automatic switching system
ASME code U or UM, depending upon model

SPECIFICATIONS

Pressure Rating	150 psi @ 300°F (10.3 bar @ 148.9°C)
Connections	NPT or RF flange
Housing Lid	Zinc-plated 3-bolt swing closure with vent port
Lid Seals	FKM O-ring (single housing), Buna-N seal (multi-round housing)
Basket Seal	FKM (single housing)
Pressure Ports	Two 0.25" NPT
Construction/Finish	Carbon steel w/2-part epoxy finish inside and outside 304 or 316 Stainless steel w/satin finish on outside
Basket Material	304 Stainless Steel strainer basket with 9/64" perforations for 304 Stainless Steel housings and Carbon Steel housings 316 Stainless Steel strainer basket with 9/64" perforations for 316 Stainless Steel housings

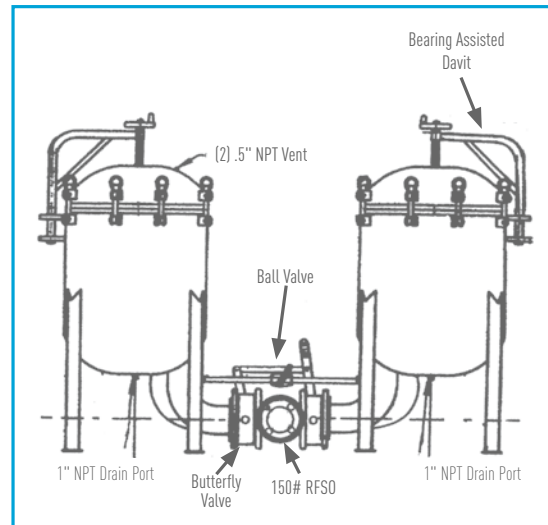
DIMENSIONS

SINGLE HOUSING*



NOTE: *Not available for L44 6" housings.

MULTI-ROUND HOUSING



All dimensions are approximate.



FILTRATION & PROCESS

5730 NORTH GLEN PARK ROAD, MILWAUKEE, WI 53209
P: 262.238.4400 | F: 262.238.4404 | WWW.PENTAIRINDUSTRIAL.COM | CUSTOMER CARE: 800.279.9404

All Pentair trademarks and logos are owned by Pentair, Inc. or its affiliates. All other registered and unregistered trademarks and logos are the property of their respective owners. Because we are continuously improving our products and services, Pentair reserves the right to change specifications without prior notice. Pentair is an equal opportunity employer.

4003032 Rev D DE14 © 2014 Pentair Residential Filtration, LLC. All rights reserved.