

INDUSTRIAL DIVERSA-FLOW BAG HOUSINGS



Pentair* Industrial* Diversa-Flow Liquid Bag Housings give you the capability of a continuous flow for non-stop filtering during maintenance, offering an economical alternative to multi-round duplexing. Diversa-Flow systems effectively remove dirt, pipe scale, and other substances from process liquids. They provide a wide variety of choices for flow rates and particulate removal. Plus, quality construction and design assure clean effluent and protection for all downstream equipment.

FEATURES/BENEFITS

- Flow rates up to 200 gpm (757 Lpm) per housing
- Housings with common connections
- Continuous flow rates
- Independent serviceability
- Carbon or Stainless Steel construction
- Each housing is factory hydro-tested
- Zinc-plated quick-swing closure with eye nuts

- FKM seals — lid and basket
- Differential, drain, and vent ports
- 304 Stainless Steel strainer basket for 304 Stainless Steel housings and Carbon Steel housing
- 316 Stainless Steel strainer basket for 316 Stainless Steel housings

APPLICATIONS

- Chemical
- General Industrial
- Oil and Gas
- Water

OPTIONS

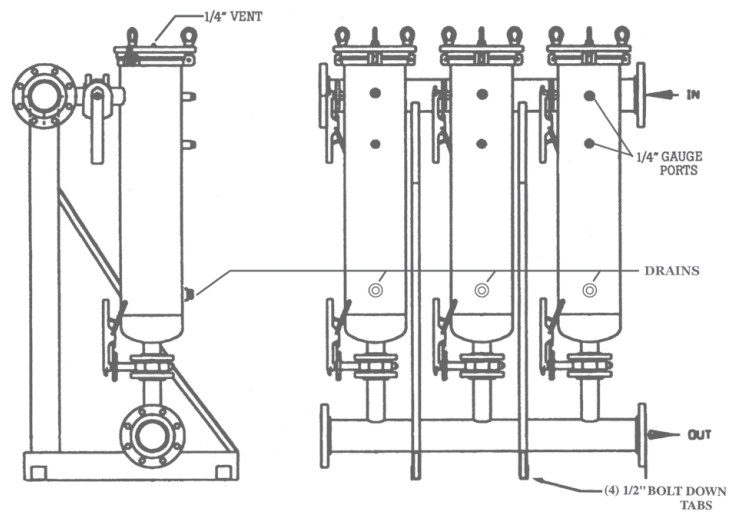
- Mesh-lined strainer baskets
- Alternative O-ring materials
- Adjustable support legs
- ASME code U or UM
- Positive hold down springs



SPECIFICATIONS

Pressure Rating	150 psi @ 300°F (10.3 bar @ 148.9°C)
Connections	NPT or RF flange
Lid & Basket Seals	FKM O-ring
Valve Seals	Buna-N
Pressure Ports	Two 0.25" NPT
Construction/Finish	Carbon steel w/2-part epoxy finish inside and outside 304 or 316 Stainless steel w/satin finish on inside and outside
Basket Material	304 Stainless Steel strainer basket for 304 Stainless Steel housings and Carbon Steel housings with 9/64" perforations 316 Stainless Steel strainer basket for 316 Stainless Steel housings with 9/64" perforations

DIMENSIONS



Based on carbon steel configuration.

ORDERING INFORMATION

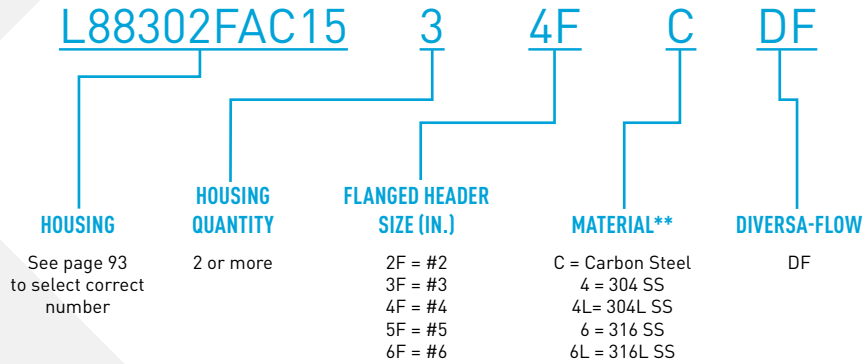
To create your ordering part number, use the part number configurator below.

Custom configurations available. Please contact customer service.

Carbon steel not recommended for water use as the epoxy coating is not designed as a corrosion inhibitor.

HOUSING EXAMPLE: L88302FAC1534FCDF

L88302FAC15 Housing (L88302FAC15), 3 housings (3), #4 Flanged Header (4F)
Carbon steel (C), Diversa-flow(DF)



***Should be the same as housing material*



WATER QUALITY SYSTEMS

5730 NORTH GLEN PARK ROAD, MILWAUKEE, WI 53209

P: 262.238.4400 | F: 262.238.4404

PENTAIRINDUSTRIAL.COM

CUSTOMER CARE: 800.279.9404 | tech-support@pentair.com

© 2015 Pentair Residential Filtration, LLC. All rights reserved.

*For a detailed list of where Pentair trademarks are registered, please visit waterpurification.pentair.com.

Pentair trademarks and logos are owned by Pentair, Inc. or its affiliates. Third party registered and unregistered trademarks and logos are the property of their respective owners.

4003031 Rev E MY15