

INDUSTRIAL C66

3-ROUND LIQUID CARTRIDGE HOUSINGS



Pentair* Industrial* C66 3-Round Liquid Cartridge Housings give the versatility of choosing cartridges for the needed flow rates, chemical compatibility and particle retention. The C66 accommodates three elements in 20", 30" or 40" (508, 762, 1,016 mm) lengths.

FEATURES/BENEFITS

Flow rates to 60 gpm (227.1 Lpm)
150 (10.3 bar) and 300 PSI (20.7 bar)
pressure rating
Carbon or Stainless Steel construction
Zinc-plated quick-swing closure
with eye nuts
300 PSI (20.7 bar) housing has a slip
and blind flange lid
Buna-N lid seal
316 Stainless Steel cup and spring
assemblies

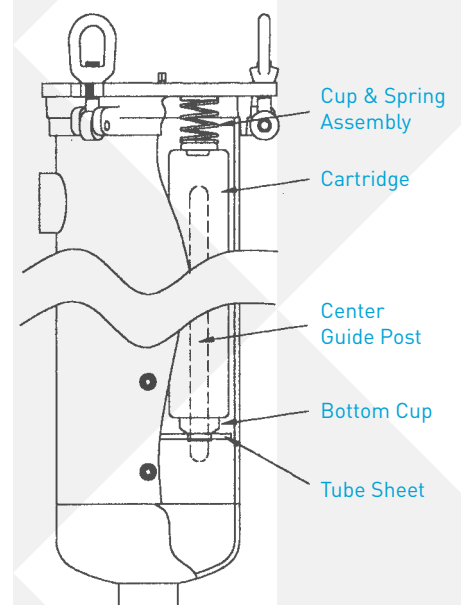
Differential, drain, and vent ports
Adjustable support legs
Two-part epoxy paint inside and outside
on carbon steel housings
316 Stainless Steel center guide post
Made to accept double open end
cartridges (DOE) or 222 style with closed
top cap*

APPLICATIONS

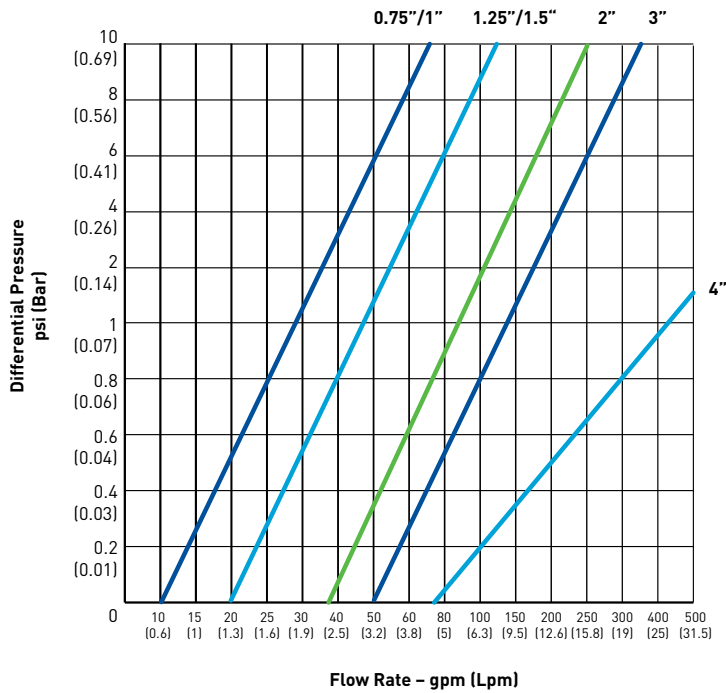
Commercial
General Industrial

OPTIONS

Duplexing for continual flow during maintenance
Higher pressure rating
226 style cartridge compatibility
Fin style top
ASME Code U or UM



PRESSURE DROP VS FLOW RATE



DIMENSIONS

HOUSING	CARTRIDGE QUANTITY	CARTRIDGE LENGTH	CONNECTION SIZE (IN.)	METRIC	DIMENSIONS						
					A	B	C	D	E	F	
C66	3	20"	1	IN	4.5	5.5	22.1	23.2	19.6	24.5	
				MM	114	140	562	589	499	622	
			1.25	IN	4.6	5.6	22.3	23.4	19.9	25.0	
				MM	118	143	565	594	505	635	
			1.5	IN	4.7	5.7	22.5	23.4	20.0	25.3	
				MM	119	145	572	595	508	641	
			2	IN	4.7	5.7	22.6	23.4	20.3	26	
				MM	119	145	573	595	514	660	
			3	IN	4.8	5.8	22.9	23.8	20.9	27.0	
				MM	122	148	581	603	530	686	
			30"	1	IN	4.5	5.5	32.1	33.2	29.6	34.5
					MM	114	140	816	843	753	876
		1.25		IN	4.6	5.6	32.3	33.4	29.9	35.0	
				MM	118	143	819	848	759	889	
		1.5		IN	4.7	5.7	32.5	33.4	30.0	35.3	
				MM	119	145	826	849	762	895	
		2	IN	4.7	5.7	32.6	33.4	30.3	36		
			MM	119	145	827	849	768	914		
		40"	1	IN	4.5	5.5	42.1	43.2	39.6	44.5	
				MM	114	140	1,070	1,097	1,007	1,130	
			1.25	IN	4.6	5.6	42.3	43.4	39.9	45.0	
				MM	118	143	1,073	1,102	1,013	1,143	
			1.5	IN	4.7	5.7	42.5	43.4	40.0	45.3	
				MM	119	145	1,080	1,103	1,016	1,149	
2	IN	4.7	5.7	42.6	43.4	40.3	45.8				
	MM	119	145	1,081	1,103	1,022	1,162				
3	IN	4.8	5.8	42.9	43.8	40.9	47.0				
	MM	122	148	1,089	1,111	1,038	1,194				

All dimensions are approximate. Dimensions are for carbon steel configurations.

STYLE A - BOTTOM OUTLET

STYLE B - SIDE OUTLET

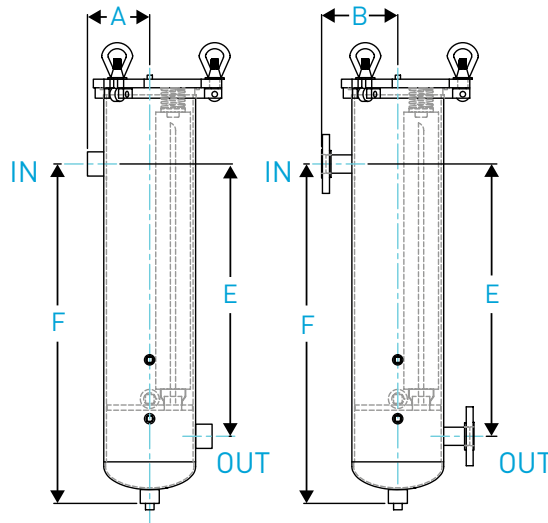
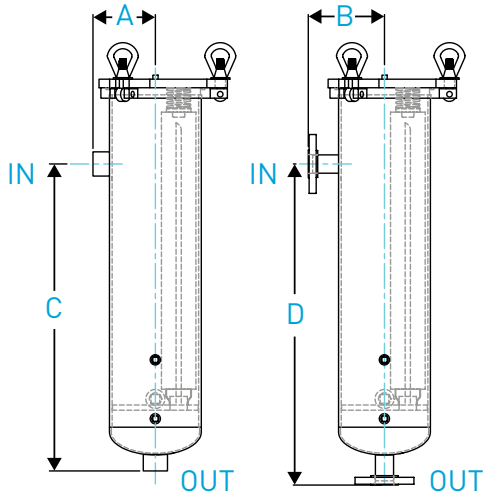
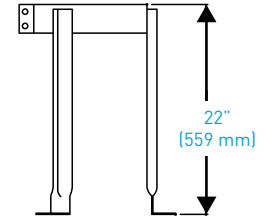
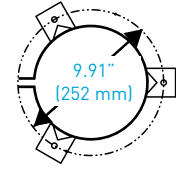
ADJUSTABLE LEGS

THREADED
NPT

FLANGED
150 LB A.N.S.I.

THREADED
NPT

FLANGED
150 LB A.N.S.I.

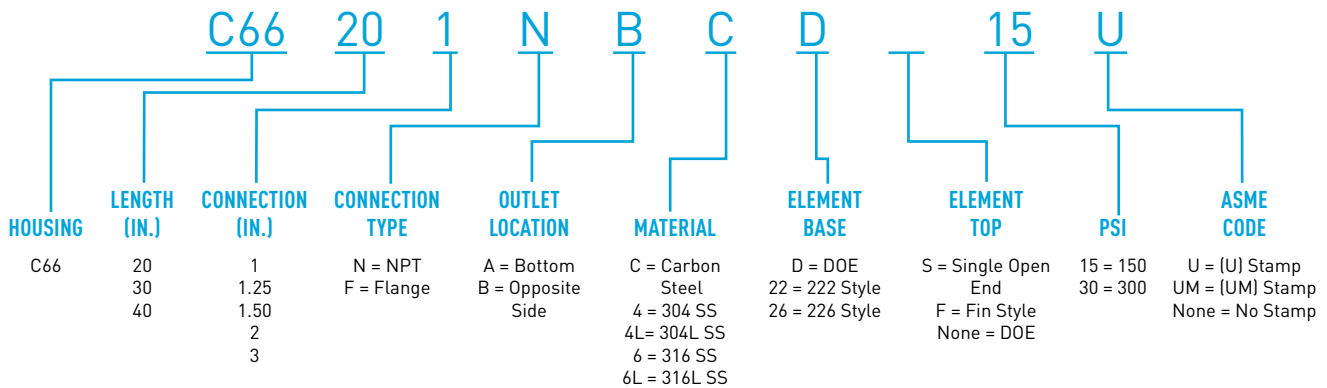


ORDERING INFORMATION

To create your ordering part number, use the part number configurator below.
Custom configurations available. Please contact customer service.

HOUSING EXAMPLE: C66201NBCD15U

C66 housing (C66), 20" length (20), 1" (1), NPT connection (N)
Outlet location on opposite side (B), Carbon steel (C), Double open ended element (D)
150 psi (15), ASME Code (U) Stamp (U)



Note: If DOE, it is only required once in the part number and will specify both top and base. Cartridges are not included but must be specified as to the type using when ordering the housing. Carbon steel not recommended for water use as the epoxy coating is not designed as a corrosion inhibitor.



WATER QUALITY SYSTEMS

5730 NORTH GLEN PARK ROAD, MILWAUKEE, WI 53209

P: 262.238.4400 | F: 262.238.4404

PENTAIRINDUSTRIAL.COM

CUSTOMER CARE: 800.279.9404 | tech-support@pentair.com

© 2015 Pentair Residential Filtration, LLC. All rights reserved.

*For a detailed list of where Pentair trademarks are registered, please visit waterpurification.pentair.com.

Pentair trademarks and logos are owned by Pentair, Inc. or its affiliates. Third party registered and unregistered trademarks and logos are the property of their respective owners.

4003023 Rev D DE14